
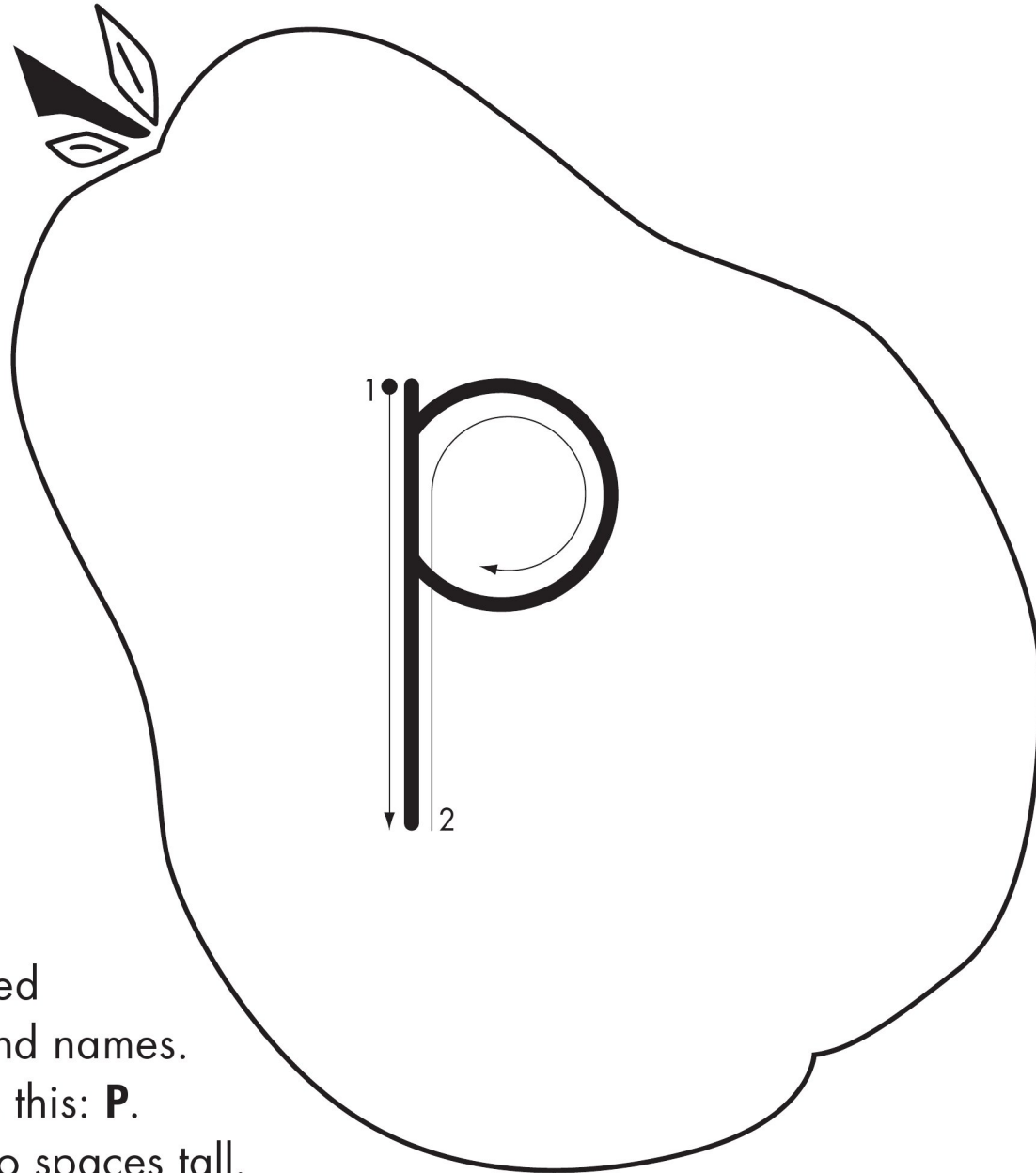


Trace the letter **p** with your finger. This letter has the sound you hear at the beginning of  . Say the sound.



Capital letters are used  
to begin sentences and names.  
A capital **p** looks like this: **P**.  
Capital letters are two spaces tall.

**Pp**

Look carefully at the letter in the box. Circle the letters that match it.


p	m	p	k	b	p
---	---	---	---	---	---

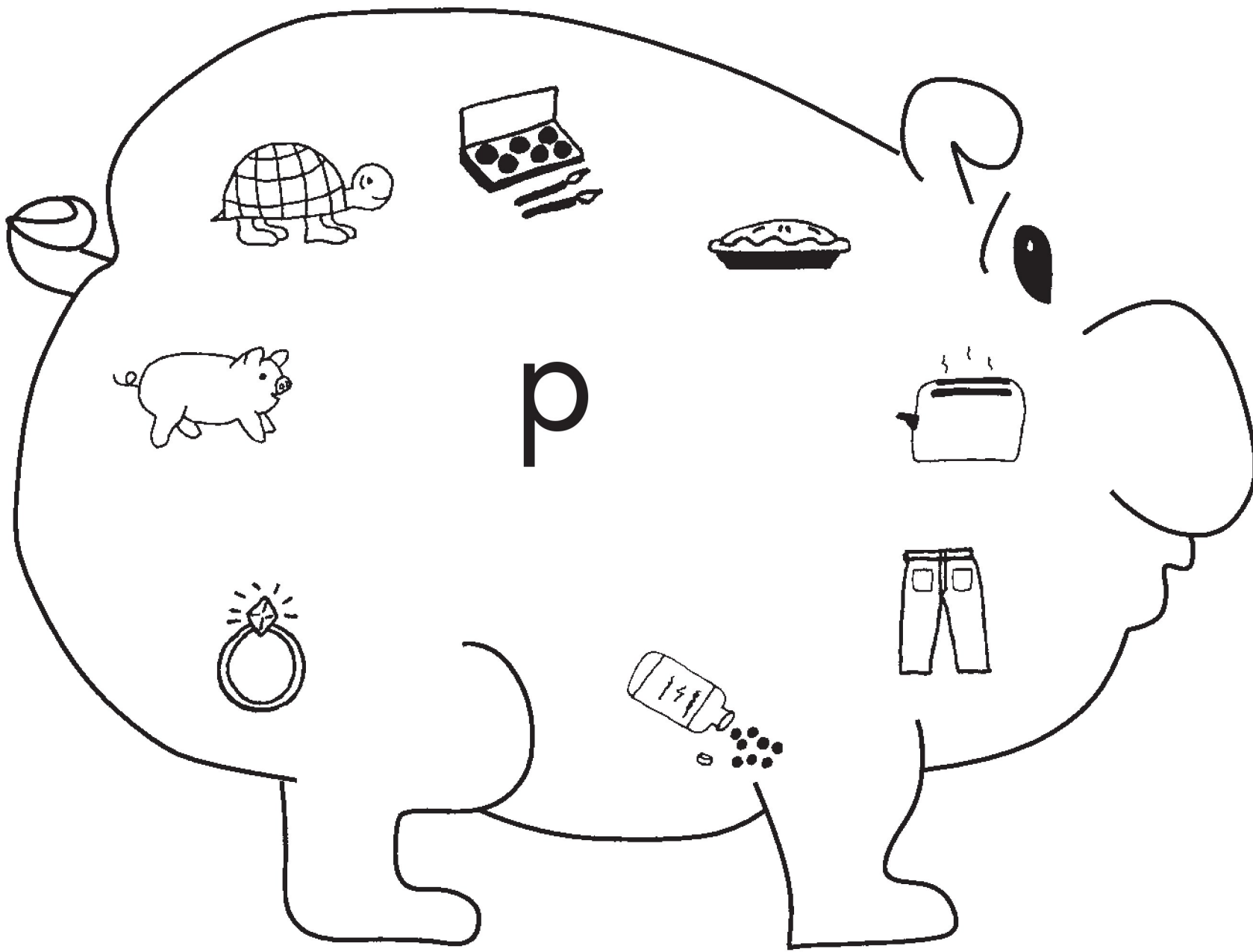
k	k	b	k	r	k
---	---	---	---	---	---


p	p	r	m	p	p
---	---	---	---	---	---

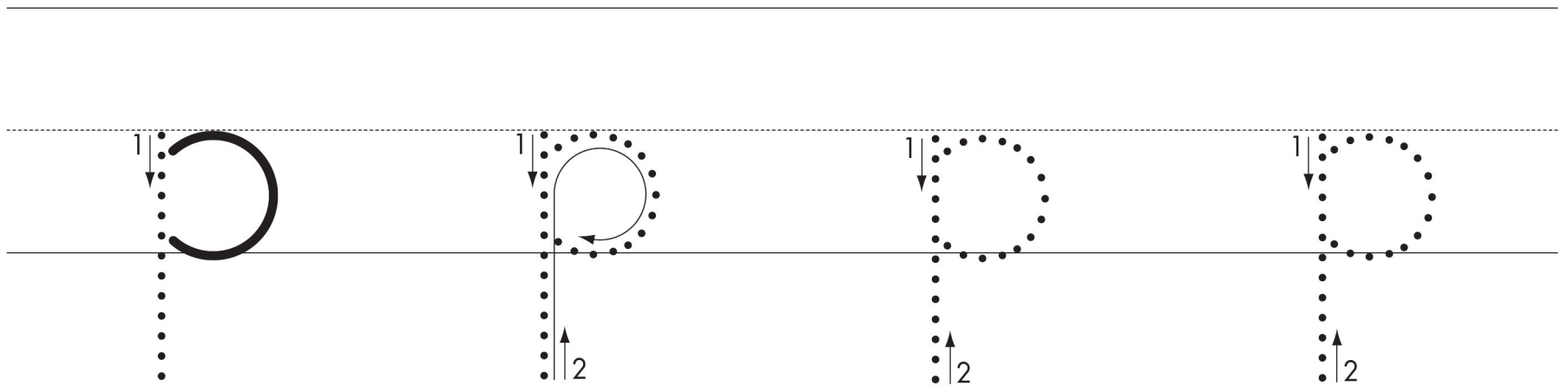
r	p	r	k	r	m
---	---	---	---	---	---

P	B	P	P	F	P
---	---	---	---	---	---

Draw a line from the letter **p** to each picture whose name begins with /p/ as in  .



Follow the arrows to write the letter **p**, which says /p/ as in  . Say the sound aloud.



Notice that **p** hangs below the line. Trace the letters.

